



Baseplate Installation Instructions

BX2252  
2007 (Manual Trans)-08  
Honda Fit  
Installation Instructions

Serial Number

Please read BOTH these Installation Instructions and the General Towing Instructions before attempting to install or operate this equipment.

- Blue Ox® towing products and accessories are intended to be installed by Blue Ox® Dealers who are familiar with our products and have the equipment and knowledge to do “fit work”. When necessary, Blue Ox® Dealers can be found at [www.blueox.com](http://www.blueox.com) or by contacting our Customer Care Department at (402) 385-3051.
- Many Blue Ox® Baseplates are designed to use existing holes and hardware to mount the baseplate to the towed vehicle. Even though bolts are there, do not assume they are adequate for baseplate mounting. Always use hardware supplied in the hardware kit or existing hardware specified in the Baseplate Installation Instructions.

Attachment Tab Height: 12 3/4”  
Attachment Tab Width: 24”

**Bolt Torque Specifications**

Torque in Foot-Pounds for Metric Bolts

Bolt Size	Grade 8.8	Grade 10.9
6MM	6	8
8MM	16	22
10MM	31	40
12MM	54	70
14MM	89	117

Confirm the towability and pre-towing procedures for your vehicle with the owner’s manual or contact the vehicle’s manufacturer for specific towing procedures.

**Bolt Torque Specifications**

Torque in Foot-Pounds for Inch Bolts

Bolt Size	Grade 5	Grade 8
1/4”	10	14
5/16”	19	29
3/8”	33	47
7/16”	54	78
1/2”	78	119
5/8”	154	230



If the front of your vehicle looks different than this, call us at (402) 385-3051.

**! WARNING**

Failure to read and follow these instructions could result in separation of the towed vehicle from the tow bar, causing property damage, loss of towed vehicle, personal injury or death.

BX2252

# 2007 (Manual Trans)-08 Honda Fit

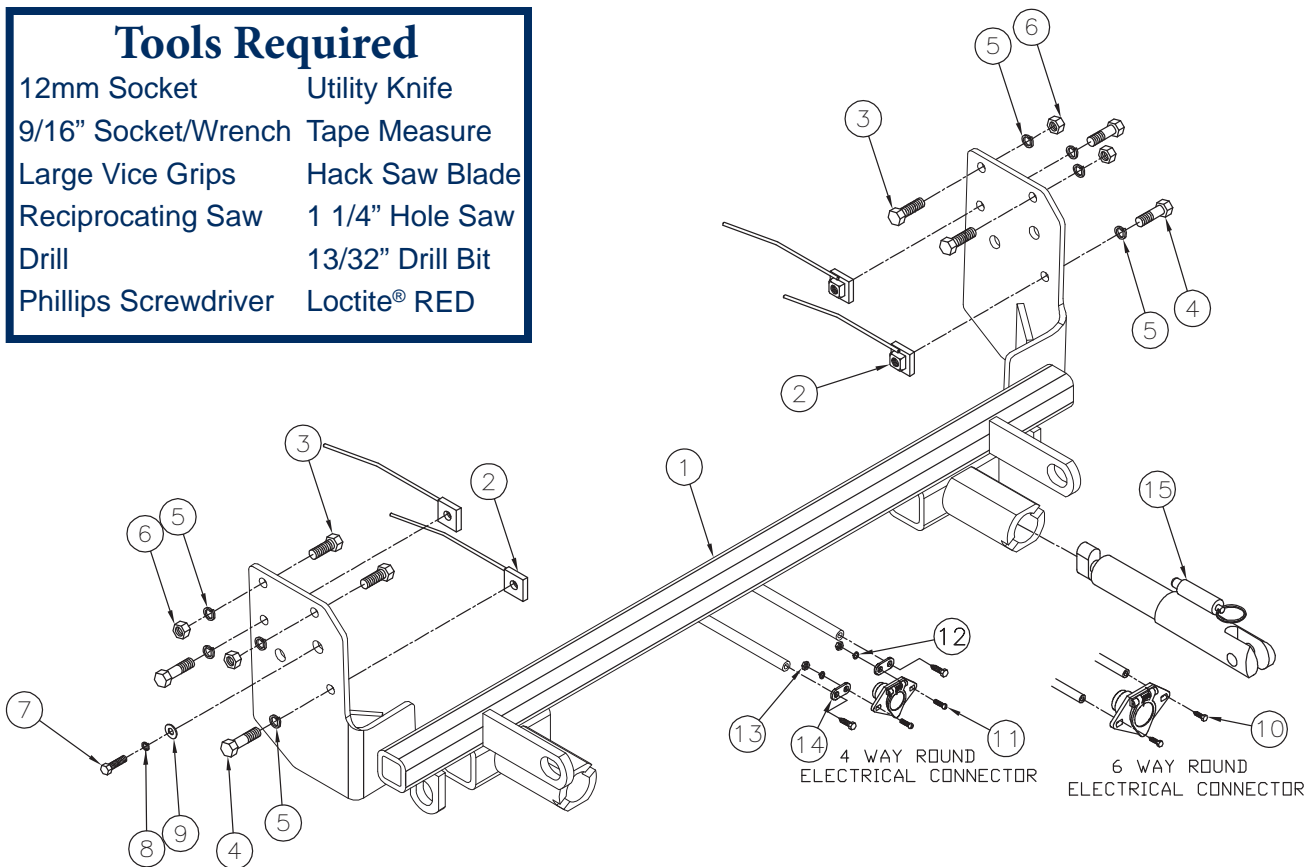
## Installation Instructions

### Parts List

Ref. No.	Qty.	Part #	Description
1	1	61-6717	Weldment Baseplate, BX1664
2	4	61-5208	3/8" Nut Plate, with Wire
3	4	201-0443	3/8-16 x 1" Hex Bolt, Grd. 5, ZP
4	4	201-0440	3/8-16 x 1 1/2" Hex Bolt, Grd. 5, ZP
5	10	203-0010	3/8" Lock Washer, ZP
6	4	202-0003	3/8-16 Hex Nut, ZP
7	1	201-0655	6MM-1.0 X 30MM Hex Bolt, Grd 8.8,ZP
8	1	203-0161	6MM, Lock Washer, ZP
9	1	203-0001	1/4 Flat Washer, ZP
10	2	201-0553	1/4-20 X 1/2 HX.Wshd.Type F Tcs, ZP
11	2	201-0192	#10-32 x 1/2 Slot, Rd. Hd. Screw, ZP
12	2	203-0054	#10 Lock Washer, ZP
13	2	202-0047	#10-32 Hex Nut, ZP
14	2	101-5822	Adapter, 4 Way Connector
15	2	62-3469	Attachment, Assembly, SF/LB (R)
	2	226-0046	Permanent Baseplate Safety Cables (Not Shown)
	2	229-0359	3/8" Quick Link, ZP (Not Shown)
	2	290-0437	Cap Plug, Black (Not Shown)

### Tools Required

12mm Socket	Utility Knife
9/16" Socket/Wrench	Tape Measure
Large Vice Grips	Hack Saw Blade
Reciprocating Saw	1 1/4" Hole Saw
Drill	13/32" Drill Bit
Phillips Screwdriver	Loctite® RED



### Important:

Use only genuine factory replacement parts on your baseplate. Do **NOT** substitute homemade or non-typical parts. If a bolt is lost or in need of replacement, for your safety and the preservation of your baseplate, be sure to use a replacement bolt of the same grade (In most cases it will be Grade 5, please reference the parts list above). Replacement parts may be ordered through your nearest Blue Ox® Dealer or Distributor. Failing to follow and/or altering these installation instructions in either installation or required equipment will void the manufacturer's warranty. Towing behind a non-motorized vehicle will void the warranty.

# 2007 (Manual Trans)-08 Honda Fit

## Installation Instructions

### Attachment Tabs:

Due to the design of the removable tabs, the RangeFinderII tow bars can not be used. Adapters, except the BX8833 and BX88151, can not be used with this baseplate.

**Installation Notes:** The fascia, styrofoam bumper, metal bumper and washer reservoir are removed for installation. Trimming of the metal bumper and fascia support are required. Drilling is required.

The dimensional variations between otherwise identical vehicles can be considerable. While the baseplate was designed for easy installation, it may be necessary to tailor the baseplate slightly to compensate for auto manufacturer's tolerances. These minor adjustments may include filing a hole slightly, bending electrical rods or bending end plates.

The Bx8848 4-Diode Wiring Kit is recommended for this vehicle.

Handling of some cosmetic parts when installing this product may require the use of protective covers, rags, specialty tools, etc. to prevent damage.

### Installation Instructions:



1. On top of the fascia, remove two pushpins between headlights and hood latch. Do this to both sides of the vehicle. Set pushpins aside to be reinstalled later.



2. Just inside wheel well, on edge of fascia, remove one Phillips screw. Do this to both sides of the vehicle. Set screws aside to be reinstalled later.

BX2252

## 2007 (Manual Trans)-08 Honda Fit

### Installation Instructions



3. Remove eight pushpins from bottom of fascia (three each side and two in the center). Pull upper corners of fascia to the side to release tabs. Do this to both sides of the vehicle. Pull fascia forward to remove. Set pushpins and fascia aside carefully to be reinstalled later.



4. Pull styrofoam bumper forward to remove. Set styrofoam bumper aside to be reinstalled later.



5. On the passenger side, remove one bolt from the side of the metal bumper using the 12mm socket. Set bolt aside to be reinstalled later.



6. Using the 12mm socket, remove two bolts from the metal bumper. Do this to both sides of the vehicle. Pull metal bumper forward to remove. Set bolts and metal bumper aside to be reinstalled later.

BX2252

## 2007 (Manual Trans)-08 Honda Fit

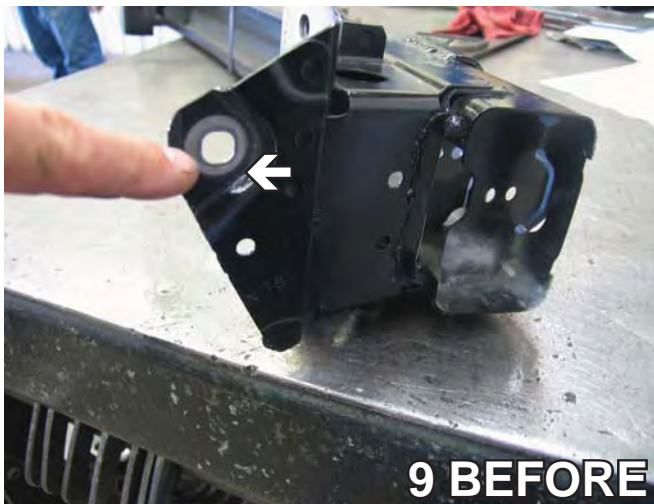
### Installation Instructions



7. Using the 1 1/4" hole saw, ream out the center hole on the end of the frame rail. Do this to both sides of the vehicle.



8. With the bottom of the metal bumper face up, mark the back of bumper bracket webbing so it is flush with the bottom edge of bumper. Using the reciprocating saw, cut the marked area to remove lower webbing. Do this to both sides of the vehicle.



9. Flatten bumper bracket with a hammer.

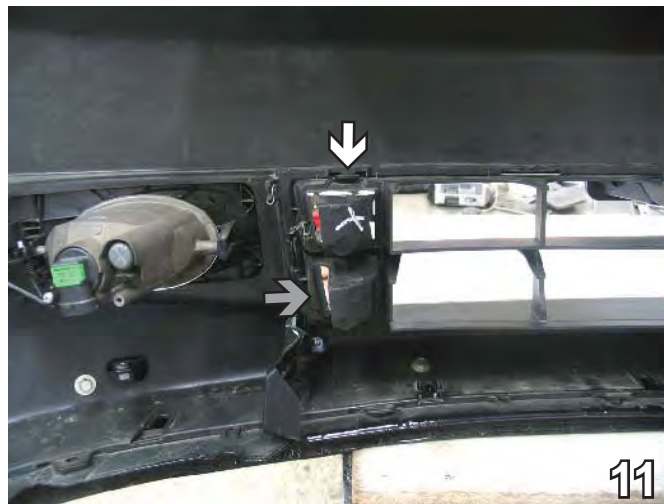


# 2007 (Manual Trans)-08 Honda Fit

## Installation Instructions



10. Lay fascia face down on a soft, non-marring surface. Using the utility knife, trim horizontally across the fascia support molding next to the grille (see white arrow). Remove one Phillips screw from the fascia support (see grey arrow). Remove upper portion of fascia support. Do this to both sides of the vehicle.



11. On the driver's side, mark the upper air vent flush with the back side of the grille opening. Using the utility knife, trim the marked area. Some models may need to have the lower air vent removed also (see grey arrow).



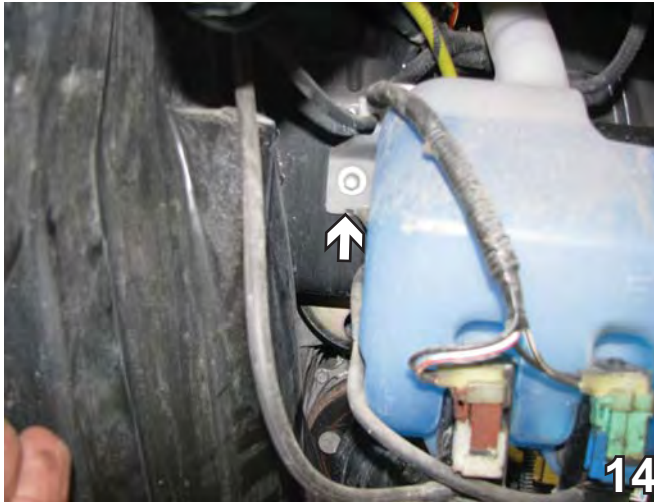
12. On the passenger side, remove the push pin by the washer reservoir fill lid. Set it aside to be reinstalled later.



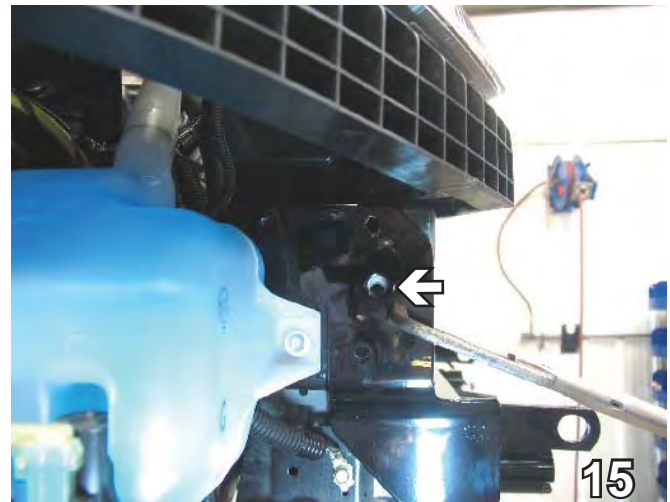
13. On the passenger side, unhook and plug the hoses and disconnect the electrical wires (gray arrows). Remove one bolt from the side of the metal bumper using the 10mm socket (white arrow). Set bolt aside to be reinstalled later.

# 2007 (Manual Trans)-08 Honda Fit

## Installation Instructions



14. Using the 10mm socket, remove one bolt from the back of the washer reservoir. Set the bolt and the washer reservoir aside to be reinstalled later.



15. Align the baseplate with passenger side existing hole, flush with the top and front edge of the frame rail. Clamp in place using the vice grips. Install the 6mm hex bolt with 6mm lock washer and 1/4" flat washer to the existing hole and tighten with loctite. Using the baseplate as a template, drill the three remaining holes in the passenger's side frame with the 13/32" drill bit.



16. On the driver's side, use the baseplate as a template to drill the front bottom hole in the frame with the 13/32" drill bit. Insert 3/8-16 nut plate through frame end hole and align to the drilled hole. Install 3/8-16 x 1 1/2" hex bolt with 3/8" lock washer and tighten with loctite to the nut plate.

**BE SURE TO USE LOCTITE® RED ON ALL BOLTS BEFORE TIGHTENING. TIGHTEN ALL BOLTS ACCORDING TO THE TORQUE CHART ON THE FRONT PAGE OF THESE INSTRUCTIONS OR ON PAGE 3 OF THE BASEPLATE TOWING GENERAL INSTRUCTIONS.**

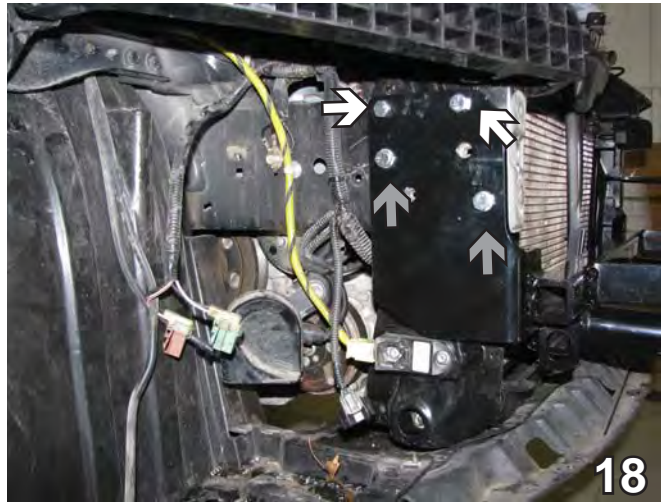
**When using power drills be aware of the dangers of torque and drill bit length.**

# 2007 (Manual Trans)-08 Honda Fit

## Installation Instructions



17. On the driver's side, use the baseplate as a template and drill the three remaining holes using the 13/32" drill bit. Insert 3/8-16 nut plate through frame end hole and align to the bottom hole (see white arrow). Install 3/8-16 x 1 1/2" hex bolt with 3/8" lock washer, apply loctite and tighten to the nut plate. On the upper two holes, install 3/8-16 x 1" hex bolt from the backside of the upper frame webbing. Apply loctite and tighten to the 3/8" lock washers and 3/8-16 hex nuts on the outside of baseplate (see grey arrows).



18. On the passenger side upper two holes, install 3/8-16 x 1" hex bolts from the upper frame webbing. Apply loctite and tighten to the 3/8" lock washers and 3/8-16 hex nuts on the outside of baseplate (see white arrows). Insert 3/8-16 nut plate through frame end hole and align to the bottom holes (see grey arrows). Install 3/8-16 x 1 1/2" hex bolt with 3/8" lock washer, apply loctite and tighten to the nut plate.

20. Attach the permanent baseplate safety cables to the provided convenience link on the baseplate. Secure the cable to a solid piece of the vehicle's frame as described in the instructions included with the permanent baseplate safety cables. Be sure the safety cables do not rub against any hose or moving parts. Do this to both sides of the vehicle.



19. On the passenger side only, trim the side of the metal bumper, Measure 3/8" from the edge on the top and cut straight down. Reinstall the bumper.

21. Reinstall washer reservoir, styrofoam bumper, metal bumper, fascia, pushpins, bolts and screws.

Install the tow bar and safety cables according to the instructions provided in their packages. When demonstrating this to the customer, be sure to include all the contents and packages.

Do **NOT** substitute other devices if the tow bar pins and clips are misplaced.



BX2252

# 2007 (Manual Trans)-08 Honda Fit

## Installation Instructions

### DEALER or INSTALLER:

Be certain the user receives the instruction sheets for their products.

Be sure that **ALL** electrical connections are plugged in properly and functioning **BEFORE** installing the fascia.

### CUSTOMER SERVICE COMMITMENT



Blue Ox is committed to providing you with exceptional customer care throughout your lifetime with our products. Our team is here to assist you with any questions you may have regarding the performance of your product. Simply call (402) 385-3051 and you can speak with our customer care team.



Additionally, please visit our website to see which rallies our Destination America team will be attending. For a nominal fee, our service technician will service your towing system to ensure it's in proper working condition. Also as a commitment to our customers, should you visit our factory you can stay at our full service Blue Ox campground at no charge along with enjoying a factory tour.

Again thank you for being our customer and for the confidence you have shown in the performance of our products. It is because of customers like you we enjoy the success we have today.

If the baseplate is in an accident, it must be replaced. **DO NOT** use it again! An accident can cause unseen damage and using it again could result in more damage or serious injury. **DO NOT** use the baseplate if it is damaged or missing parts.



© 2010 Blue Ox  
One Mill Road, Industrial Park  
Pender, Nebraska 68047  
Phone: (402) 385-3051 • Fax: (402) 385-3360  
[www.blueox.com](http://www.blueox.com)